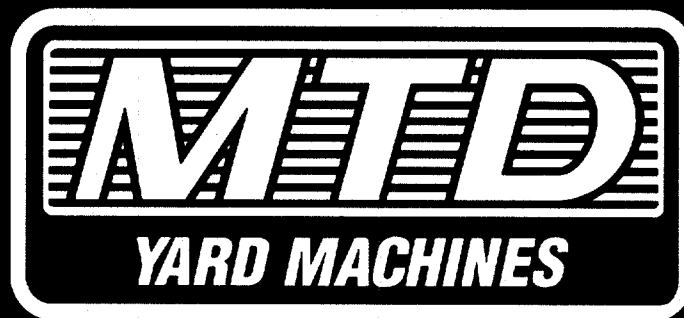


# ILLUSTRATED PARTS

AMERICAN  AMERICAN  
M A D E O W N E D  
OUTDOOR POWER EQUIPMENT



1995

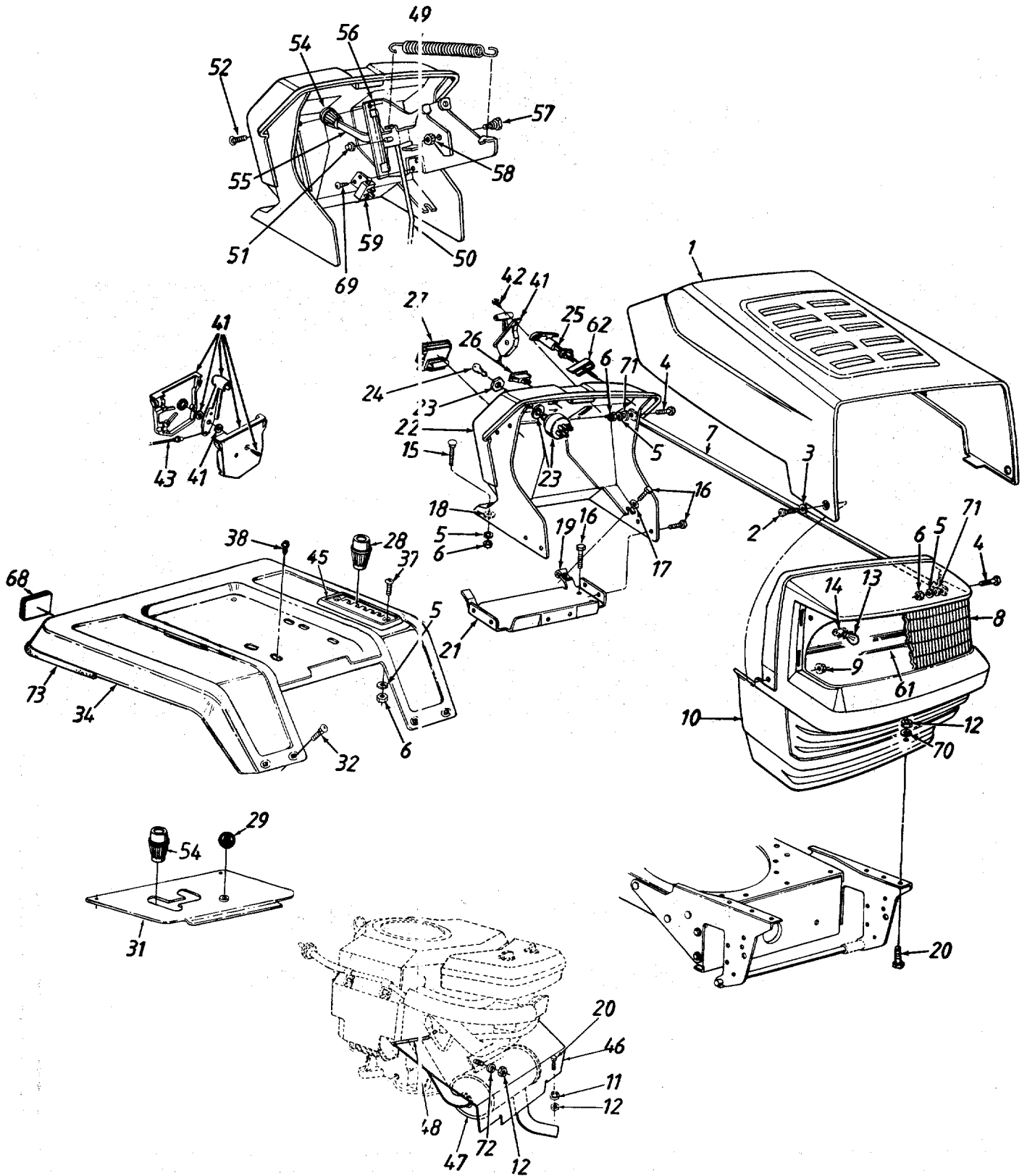
**Garden Tractors**  
**820-829; 840-849 Series**

MTD PRODUCTS INC • P.O. BOX 368022 • CLEVELAND, OHIO 44136-9722

FORM NO. 770-95-4A

# Models 820 and 840

(Style 0)



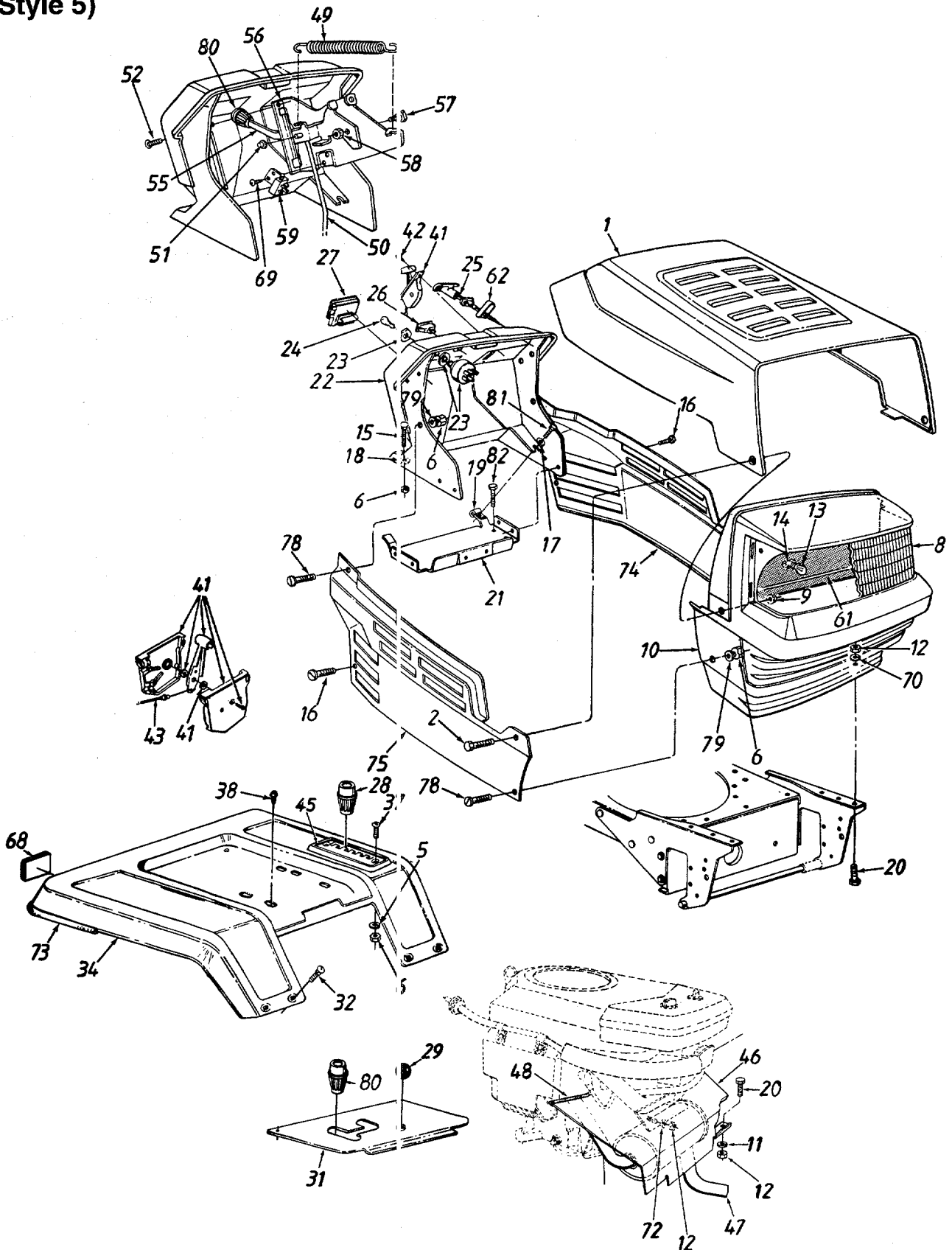
# Models 820 and 840

## PARTS LIST FOR MODELS 820 AND 840 TRACTORS

REF. NO.	PART NO.	CODE	DESCRIPTION	REF. NO.	PART NO.	CODE	DESCRIPTION
1	783-0250		Hood	32	710-0167		Carriage Bolt 1/4-20 x .5" Lg.
2	738-0724		Shld. Bolt .375" Dia. x .125" Lg.	34	17426A		Fender
3	736-0175		Spr. Wash. .265" I.D. x .562" O.D.	37	710-0166		Truss Mach. Scr. #1/4-20 x 1" Lg.
4	710-0258		Hex Bolt 1/4-20 x .62" Lg.*	38	710-0726		Hex Wash. Hd. AB-Tap Scr. 5/16 x .75" Lg.
5	736-0329		L-Wash. 1/4" I.D.*	41	831-0823A		Throttle Box Ass'y.
6	712-0287		Hex Nut 1/4-20 Thd.*	42	710-0779A		Truss Mach. AB-Tap Scr. #10 x .5" Lg.
7	749-0813A		Grille Support Rod	43	746-0634		Throttle Control Wire
8	731-1099A		Headlight Lens	45	731-1360		6-Speed Selector Plate (820)
9	712-0380		Flange L-Nut 1/4-28 Thd.		731-1071		7-Speed Selector Plate (840)
10	731-1097B		Grille	46	16934		Front Heat Shield
11	736-0119		L-Wash. 5/16" I.D.*	47	751-0474		Muffler
12	712-0267		Hex Nut 5/16-18 Thd.*	48	731-0511-12		Trim Strip 12" Lg.
13	725-0963		Lamp	49	732-0626		Ext. Spring 5.06" Lg.
14	725-1649		Socket	50	747-0750		Deck Control Rod
15	710-0932		Carriage Bolt 1/4-20 x 1.0" Lg.	51	726-0106		Speed Nut 1/4" Rod
16	710-0776A		Hex AB-Tap Scr. 1/4 x .62" Lg.	52	710-1017		Torx Mach. Scr. 1/4 x .62" Lg.
17	736-0173		Fl-Wash. .281" I.D. x .73" O.D.	54	720-0232		PTO Knob
18	726-0233		Bolt Retainer 1/4" I.D.	55	17500		PTO Lever
19	712-0185		Speed Nut 1/4-20 Thd.	56	17496A		PTO Bracket
20	710-0118		Hex Bolt 5/16-18 x .75" Lg.	57	738-0155		Shld. Bolt .437" Dia. x .162"
21	17634		Support Brkt.	58	712-3009		Hex L-Nut 5/16-18 Thd.
22	731-1094B		Dash—w/Ammeter & Light Switch Holes	59	725-0465A		Safety Switch (PTO)
	731-1095B		Dash—w/o Ammeter & Light Switch Holes	61	777-9206		Grille Reflector Label
23	725-0267		Ignition Switch	62	17782		Retainer Clip
24	725-0201		Ignition Key	68	730-3000		Reflector (Optional)
25	746-0614A		Choke Control	69	710-1066		Hex Wash. Hd. B-Tap Scr. #10 x .38" Lg.
26	725-0634		Light Switch (Optional)	70	736-3078		Fl-Wash. .344" I.D. x 1" O.D.
27	725-0925		Ammeter (Optional)	71	736-0342		Fl-Wash. .28" I.D. x .75" O.D.
28	720-0218		Shift Knob	72	736-0170		Spec. L-Wash. 5/16" I.D.
29	720-0166		Knob	73	731-0511-81		Trim Strip 81" Lg.
31	783-0245A	N	Shift Cover				

\*For faster service obtain standard nuts, bolts and washers locally. If these items cannot be obtained locally, order by part number and size as shown on parts list.

# Models 825 and 845 (Style 5)



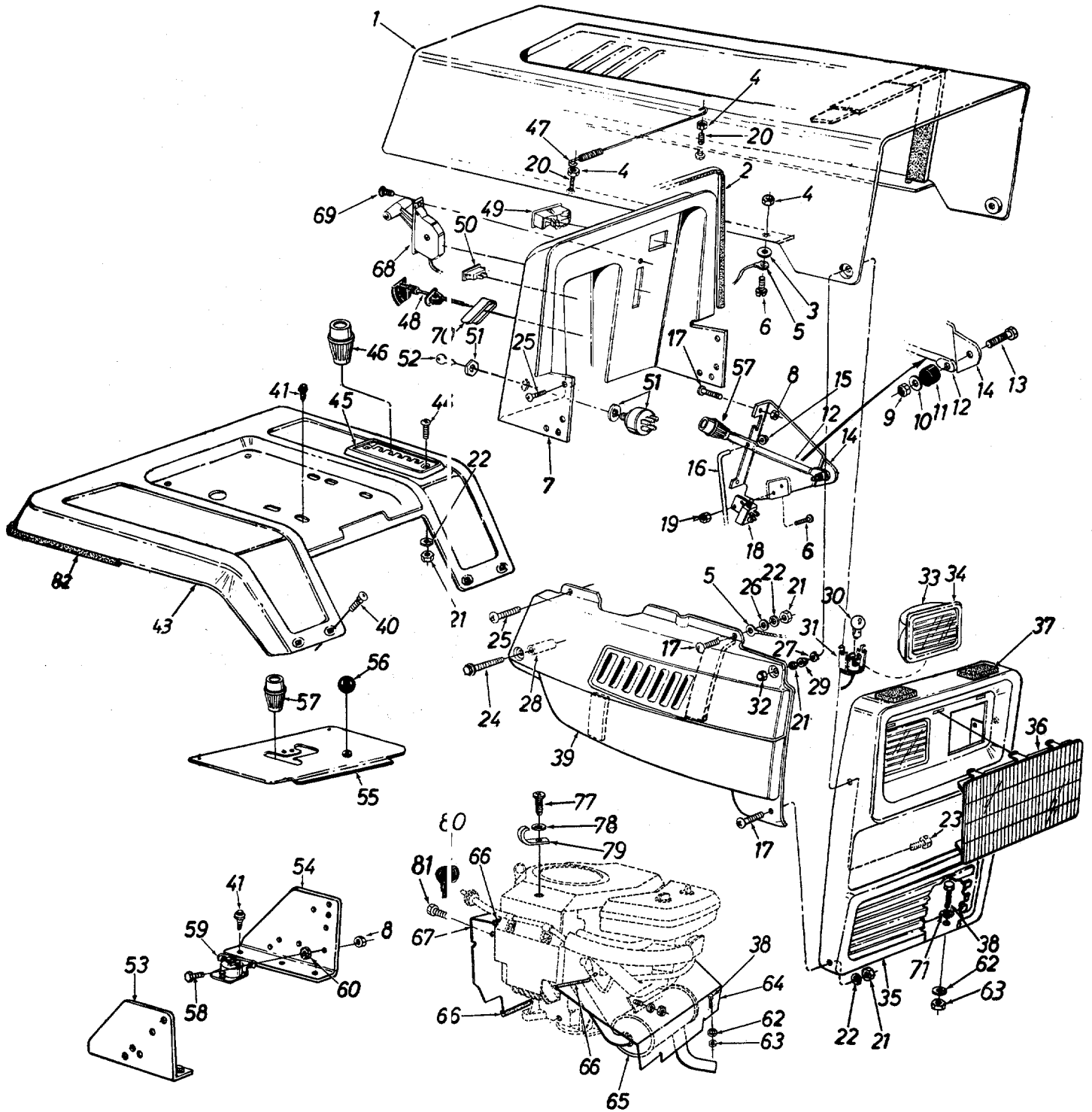
# Models 825 and 845

## PARTS LIST FOR MODELS 825 AND 845 TRACTORS

REF. NO.	PART NO.	CODE	DESCRIPTION	REF. NO.	PART NO.	CODE	DESCRIPTION
1	783-0250		Hood	41	831-0823A		Throttle Box Ass'y.
2	738-0724		Shld. Bolt .375" Dia. x .125" Lg.	42	710-0779A		Truss Mach. AB-Tap Scr. #10 x .5" Lg.
5	736-0329		L-Wash. 1/4" I.D.*				Throttle Control Wire
6	712-0287		Hex Nut 1/4-20 Thd.*	43	746-0634		6-Speed Selector Plate (825)
8	731-1099A		Headlight Lens	45	731-1360		7-Speed Selector Plate (845)
9	712-0380		Flange L-Nut 1/4-28 Thd.		731-1071		Front Heat Shield
10	731-1097B		Grille	46	16934		Muffler
11	736-0119		L-Wash. 5/16" I.D.*	47	751-0474		Trim Strip 12" Lg.
12	712-0267		Hex Nut 5/16-18 Thd.*	48	731-0511-12		Ext. Spring 5.06" Lg.
13	725-0963		Lamp	49	732-0626		Deck Control Rod
14	725-1649		Socket	50	747-0750		Speed Nut 1/4" Rod
15	710-0932		Carriage Bolt 1/4-20 x 1.0" Lg.	51	726-0106		Torx Mach. Scr. 1/4 x .62" Lg.
16	710-0599		Hex Wash. Hd. TT-Tap Scr. 1/4-20 x .5" Lg.	52	710-1017		PTO Lever
				55	17500		PTO Bracket
17	736-0173		Fl-Wash. .281" I.D. x .73" O.D.	56	17496A		Shld. Bolt .437" Dia. x .162"
18	726-0233		Bolt Retainer 1/4" I.D.	57	738-0155		Hex L-Nut 5/16-18 Thd.
19	712-0185		Speed Nut 1/4-20 Thd.	58	712-3009		Safety Switch (PTO)
20	710-0118		Hex Bolt 5/16-18 x .75" Lg.	59	725-0465A		Grille Reflector Label
21	17634		Support Brkt.	61	777-9206		Retainer Clip
22	731-1094B		Dash—w/Ammeter & Light Switch Holes	62	17782		Reflector (Optional)
	731-1095B		Dash—w/o Ammeter & Light Switch Holes	68	730-3000		Hex Wash. Hd. B-Tap Scr. #10 x .38" Lg.
23	725-0267		Ignition Switch	70	736-3078		Fl-Wash. .344" I.D. x 1" O.D.
24	725-0201		Ignition Key	72	736-0170		Spec. L-Wash. 5/16" I.D.
25	746-0614A		Choke Control	73	731-0511-81		Trim Strip 81" Lg.
26	725-0634		Light Switch (Optional)	74	783-0151		Side Panel—L.H.
27	725-0925		Ammeter (Optional)	75	783-0150A		Side Panel—R.H.
28	720-0218		Shift Knob	78	710-0286		Pan Hd. Mach. Scr. 1/4-20 x .5" Lg.
29	720-0166		Knob				Bell-Wash. 1/4" I.D.
31	783-0245A	N	Shift Cover	79	736-0270		Small Shift Knob
32	710-0167		Carriage Bolt 1/4-20 x .5" Lg.	80	720-0232		Hex TT-Tap Scr. 1/4-20 x .75" Lg.
34	17426A		Fender	81	710-0642		Hex AB-Tap Scr. 1/4 x .62" Lg.
37	710-0166		Truss Mach. Scr. #1/4-20 x 1" Lg.				
38	710-0726		Hex Wash. Hd. AB-Tap Scr. 5/16 x .75" Lg.	82	710-0776A		

\*For faster service obtain standard nuts, bolts and washers locally. If these items cannot be obtained locally, order by part number and size as shown on parts list.

# Models 828 and 848 (Style 8)



# Models 828 and 848

## PARTS LIST FOR MODELS 828 AND 848 TRACTORS

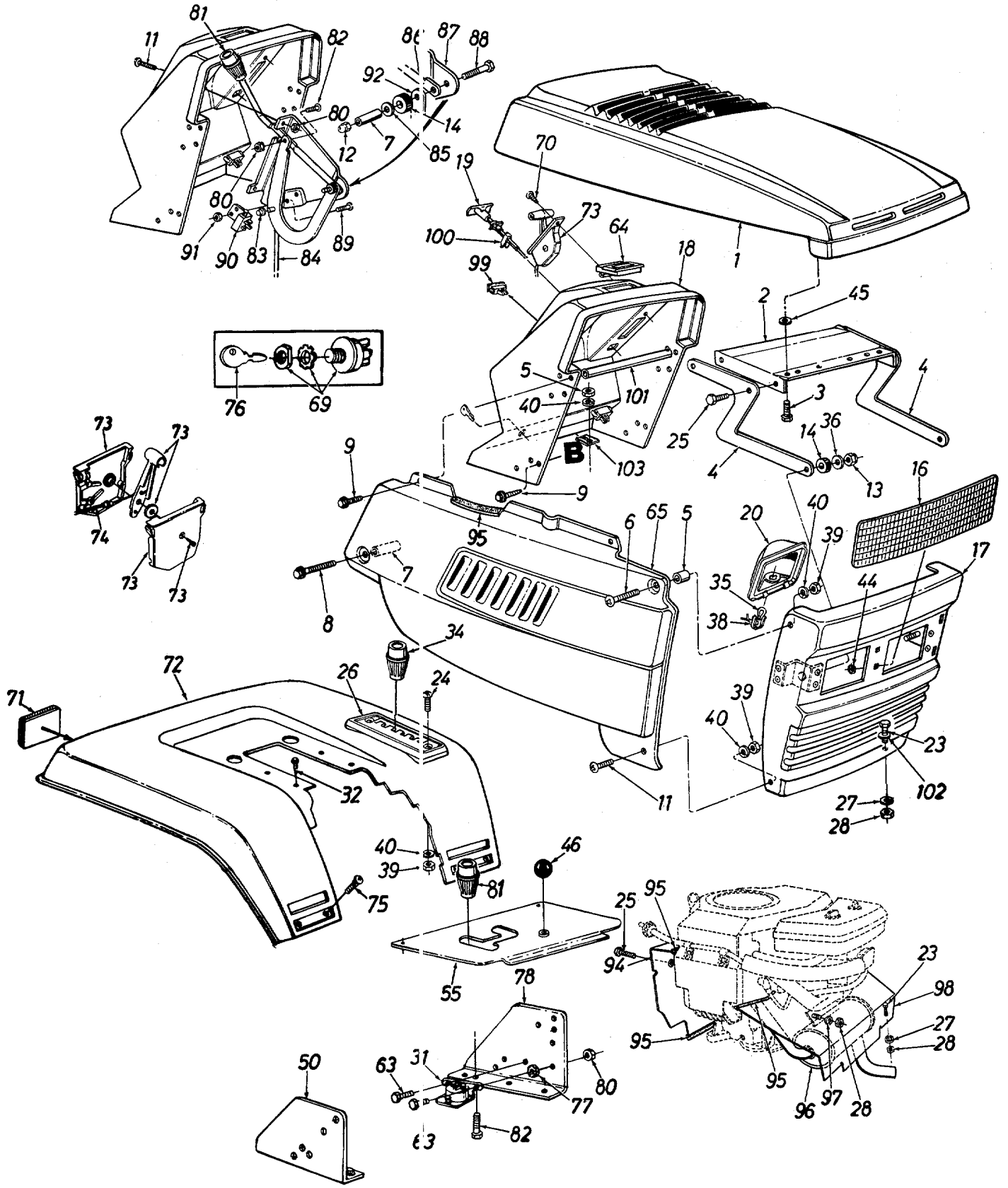
REF. NO.	PART NO.	CODE	DESCRIPTION	REF. NO.	PART NO.	CODE	DESCRIPTION
1	16787A		Hood	40	710-0167		Carriage Bolt 1/4-20 x .5" Lg.
2	731-0511-31		Trim Strip 31" Lg.	41	710-0726		Hex Wash. AB-Tap Scr. 5/16 x .75" Lg.
3	736-0931		Fl-Wash. .20" I.D. x .41" O.D.				Trim Strip—81" Lg.
4	712-0272		Hex Sems Nut #10-24 Thd.	42	731-0511-81		Fender
5	727-0290		Hood Stop	43	17426A		Truss Mach. Scr. 1/4-20 x 1" Lg.
6	710-0473		Truss Mach. Scr. #10-24 x .5" Lg.	44	710-0166		6-Speed Selector Plate (828)
7	16550A		Dash Ass'y. w/Ammeter Hole	45	731-1360		7-Speed Selector Plate (848)
	17998		Dash Ass'y. w/o Ammeter Hole		731-1071		Shift Knob
8	712-0271		Hex Sems Nut 1/4-20 Thd.	46	720-0218		Hood Spring
9	712-0324		Hex L-Nut 1/4-20 Thd.	47	732-0462		Choke Control 46" Lg.
10	736-0173		Fl-Wash. .281" I.D. x .73" O.D.	48	746-0613A		Ammeter†
11	735-0126		Rubber Washer	49	725-0925		Light Switch†
12	747-0513		PTO Lever	50	725-0634		Ignition Switch
13	710-0106		Hex Bolt 1/4-20 x 1.25" Lg.*	51	725-0267		Ignition Key
14	13950A		Deck Clutch Control Brkt.	52	725-0201		Dash Support Brkt.—R.H.
15	726-0106		Push Cap	53	17293B		Dash Support Brkt.—L.H.
16	747-0307		Deck Control Rod	54	17294B		Transmission Cover
17	710-0286		Truss Mach. Scr. 1/4-20 x .5" Lg.	55	783-0245A	N	Ball Knob
18	725-0465A		Safety Switch	56	720-0166		Knob—Blade Clutch
19	712-0272		Hex Sems Nut #10-24 Thd.	57	720-0232		Hex Bolt 1/4-20 x .5" Lg.
20	710-0749		Hex Bolt 10-24 x 1.0" Lg.	58	710-0289		Solenoid
21	712-0287		Hex Nut 1/4-20 Thd.*	59	725-1426		Ext. L-Wash. 1/4" I.D.
22	736-0329		L-Wash. 1/4" I.D.*	60	736-0222		L-Wash. 5/16" I.D.*
23	710-0206		Hex Bolt 1/4-20 x .88" Lg.*	62	736-0119		Hex Nut 5/16-18 Thd.*
24	710-1026		Hex Wash. TT-Tap Scr. 1/4-20 x 1.75" Lg.	63	712-0267		Front Heat Shield
25	710-0642		Hex TT-Tap Scr. 1/4-20 x .75" Lg.	64	16934		Muffler
26	736-0463		Fl-Wash. .25" I.D. x .62"	65	751-0474		Trim Strip 12" Lg.
27	736-0413		Spr. Wash. .39" I.D. x .62"	66	731-0511-12		Rear Baffle
28	750-0768		Spacer .26" I.D. x .375"	67	16989A		Throttle Control Box Ass'y.
29	738-0759		Shld. Spacer .375" Dia. x .125" Lg.	68	831-0823A		Truss Mach. AB-Tap Scr. #10 x .5" Lg.
30	725-0963		Lamp	70	17782		Retainer Clip
31	725-1650		Socket	71	736-3078		Fl-Wash. .344" I.D. x 1" O.D. (Hdn.)
32	712-0264		Acorn Nut 1/4-20 Thd.	77	710-0351		Truss Mach. B-Tap Scr. #10 x .5" Lg.
33	731-0705		Headlight Housing	78	736-3067		Fl-Wash. .188" I.D. x .438" O.D.
34	731-0706		Headlight Lens†	79	726-0272		Clamp
35	15806B		Grille	80	725-3008		Boot
	16456B		Grille—Used w/Headlight Bezel	81	710-0599		Hex Wash Hd. TT-Tap Scr. 1/4-20 x .5" Lg.
36	731-0967		Headlight Bezel†	82	731-0511-81		Trim Strip 81" Lg.
37	722-0157		Foam Strip				
38	710-0118		Hex Bolt 5/16-18 x .75" Lg.				
39	17458A		Side Panel Ass'y.—R.H.				
	17459A		Side Panel Ass'y.—L.H. (Not Shown)				

### †Optional Parts

\*For faster service obtain standard nuts, bolts and washers locally. If these items cannot be obtained locally, order by part number and size as shown on parts list.

# Models 829 and 849

(Style 9)





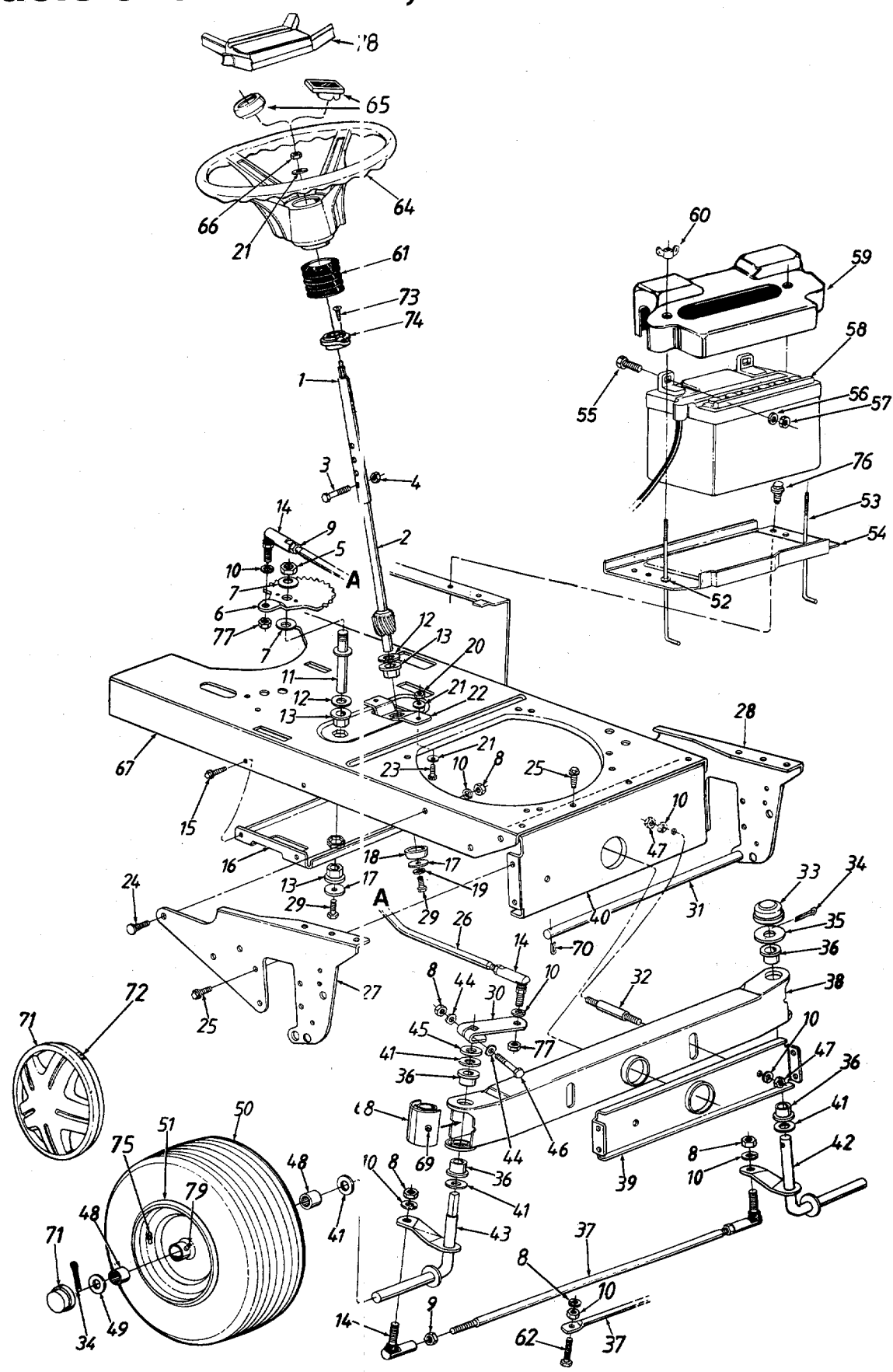
# Models 829 and 849

## PARTS LIST FOR MODELS 829 AND 849 TRACTORS

REF. NO.	PART NO.	CODE	DESCRIPTION	REF. NO.	PART NO.	CODE	DESCRIPTION
1	731-1491		Hood (Red)	50	17293B		Dash Support Brkt.—R.H.
	731-1531		Hood (Charcoal Gray)	55	783-0245A	N	Transmission Cover
2	16903A		Hood Plate	63	710-0289		Hex Bolt 1/4-20 x .5" Lg.
3	710-1005		Hex Wash. Hd. Tap Scr. 1/4 x .5" Lg.	64	725-0925		Ammeter
				65	17458A		Side Panel Ass'y.—R.H.
4	783-0190		Hood Hinge		17459A		Side Panel Ass'y.—L.H.
5	750-0768		Spacer .34" I.D. x .437"	69	725-0267		Ignition Switch
6	710-0166		Truss Hd. Mach. Scr. 1/4-20 Thd.	70	710-0779A		Truss Mach. AB-Tap Scr. #10 x .5" Lg.
7	750-0583		Spacer .26" I.D. x .375"				Reflector (Optional)
8	710-1026		Hex Wash. TT-Tap Scr. 1/4-20 x 1.75" Lg.	71	730-3000		Rear Fender
				72	17330A		Throttle Control Box Ass'y.
9	710-0642		Hex T-Tap Scr. 1/4-20 x .75" Lg.	73	831-0823A		Throttle Control Wire 35" Lg.
				74	746-0634		Carriage Bolt 1/4-20 x .5" Lg.
11	710-0286		Truss Mach. Scr. 1/4-20 x .5" Lg.	75	710-0167		Key
12	712-0324		Hex Ins. L-Nut 1/4-20 Thd.	76	725-0201		Ext. L-Wash. 1/4" I.D.
13	712-0429		Hex L-Nut 5/16-18 Thd.	77	736-0222		Dash Support Brkt.—L.H.
14	735-0126		Rubber Washer	78	17294B		Hex Sems Nut 1/4-20 Thd.
16	731-1044		Headlight Lens	80	712-0271		Knob
17	17410		Grille Ass'y.	81	720-0232		Hex Bolt 1/4-20 x .62" Lg.
18	731-1046A		Dash Ass'y.	82	710-0258		Push Nut
19	746-0614A		Choke Control	83	726-0106		PTO Rod
20	731-0705		Headlight Housing	84	16985		FI-Wash. .281" I.D. x .73"
23	710-0118		Hex Bolt 5/16-18 x .75" Lg.	85	736-0173		PTO Lever
24	710-0924		Truss Mach. Scr. 1/4-20 x .75" Lg.	86	16984		Deck Clutch Control Brkt.
				87	12476		Hex Bolt 1/4-20 x 2.5" Lg.
25	710-0599		Hex Wash. Hd. Scr. 1/4" x .5" Lg.	88	710-0102		Truss Mach. Scr. #10-24 x .5" Lg.
26	731-1360		6-Speed Selector Plate (829)	89	710-0473		Safety Switch
	731-1069		7-Speed Index Brkt. (849)				Hex Nut #10-24 Thd.
27	736-0119		L-Wash. 5/16" I.D.*	90	725-0465A		PTO Bracket
28	712-0267		Hex Nut 5/16-18 Thd.*	91	712-0121		Engine Baffle
31	725-1426		Solenoid	92	16983		Trim Strip 12" Lg.
32	710-0726		Hex Hd. Rolling Scr. 5/16-24 x .75" Lg.	94	16989A		Muffler
				95	731-0511-12		Spec. L-Wash. 5/16" I.D.
34	720-0218		Shift Knob	96	751-0474		Front Heat Shield
35	725-0963		Lamp	97	736-0170		Light Switch
36	736-0242		Bell-Wash. .34" I.D. x .87"	98	16934		Retainer Clip
38	725-1650		Socket	99	725-0634		Dash Support Tube
39	712-0287		Hex Nut 1/4-20 Thd.*	100	17782		FI-Wash. .344" I.D. x 1" O.D.
40	736-0329		L-Wash. 1/4" I.D.*	101	749-0814		Dash Panel Fastening Tab
44	726-0201		Speed Nut 5/16" I.D.	102	736-3078		Chome Label
45	736-3010		FI-Wash. .406" I.D.	103	783-0013		
46	720-0166		Ball Knob	104	777-8568A		

\*For faster service obtain standard nuts, bolts and washers locally. If these items cannot be obtained locally, order by part number and size as shown on parts list.

# Models 820 thru 829; 840 thru 849

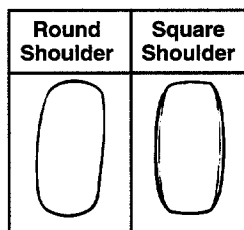


# Models 820 thru 829; 840 thru 849

## PARTS LIST FOR 800 SERIES GARDEN TRACTORS

REF. NO.	PART NO.	CODE	DESCRIPTION	REF. NO.	PART NO.	CODE	DESCRIPTION
1	16512		Steering Column Ass'y.	43	16914		Front Axle Ass'y.—R.H.
2	738-0763		Lower Steering Shaft	44	736-0286		Bowed Washer
3	710-0958		Hex Bolt 1/4-20 x 1.31" Lg.	45	748-0160		Spacer .755" I.D. x 1.25" O.D.
4	712-0324		Hex L-Nut 1/4-20 Thd.	46	710-0331		Hex Bolt 3/8-24 x 2.25" Lg.
5	712-0318		Hex Jam Nut 5/8-18 Thd.*	47	712-0798		Hex Nut 3/8-16 Thd.*
6	717-0943A		Steering Gear Segment	48	**		Bearing
7	736-0317		Bell-Wash. 5/8" I.D. x 1.25" O.D.	49	736-0316		Fl-Wash. .71" I.D. x 1.5" O.D.
8	712-0241		Hex Nut 3/8-24 Thd.	50	**		Wheel Ass'y. Comp.
9	712-0711		Hex Jam Nut 3/8-24 Thd.		**		Tire Only
10	736-0169		L-Wash. 3/8" I.D.*	51	**		Rim Only
11	738-0768		Steering Gear Segment Shaft	52	726-0271		Push Nut
12	736-0187		Fl-Wash. .64" I.D. x 1.24" O.D.	53	711-0222		Battery Hold Down Rod
13	748-0227A		Hex Flange Brg. .63" I.D.	54	17635		Battery Plate
14	723-3018		Ball Joint Ass'y.		17634		Battery Plate (820, 825, 840 & 845 Only)
15	710-0599		Hex Wash. Hd. TT-Tap Scr. 1/4-20 x .5" Lg.	55	710-0258		Hex Bolt 1/4-20 x .62" Lg.*
16	16888A		Deck Idler Support Brkt.	56	736-0329		L-Wash. 1/4" I.D.*
17	736-0343		Fl-Wash. .33" I.D. x 1.25" O.D.	57	712-0287		Hex Nut 1/4-20 Thd.*
18	750-0532		Spacer .985" I.D. x 1.25" O.D.	58	725-1635		Battery (275 Cold Crank Amps)
19	736-0119		L-Wash. 5/16" I.D.*	59	731-1132		Battery Cover
20	712-0123		Hex Nut 5/16-24 Thd.*	60	712-0113		Wing Nut Plastic 1/4-20 Thd.
21	736-0242		Bell-Wash. .345" I.D. x .88" O.D.	61	731-0954		Steering Bellow (Style 0, 4, 5, 6, 9)
22	16894		Bearing Retainer Brkt.		731-0559		Steering Bellow (Style 8)
23	710-0157		Hex Bolt 5/16-24 x .75" Lg.	62	710-0459		Hex Bolt 3/8-24 x 1.5" Lg. (Gr. 5)
24	710-0793		Ribbed Neck Bolt 3/8-24 x .8" Lg.	64	731-0805		Steering Wheel (3 Spoke)†
25	710-0604		Hex Wash. TT-Tap Scr. 5/16-18 x .62" Lg.		731-0806A		Steering Wheel (4 Spoke)†
26	747-0579		Steering Drag Link (Used w/Non-Adjustable Tie Rod)	65	731-1406		Steering Wheel (3 Spoke)††
	747-0899		Steering Drag Link (Used w/Adjustable Tie Rod)		731-0220		Steering Wheel Cap (Round)
27	16896B	N	Pivot Bar Side Plate—R.H.	66	712-0237		Steering Wheel Cap (Sq.—MTD)
28	16897B	N	Pivot Bar Side Plate—L.H.	67	731-1460		Steering Wheel Cap (Square—No Logo)
29	710-0538		Hex Bolt 5/16-18 x .62" Lg.	68	712-0237		Hex L-Nut 5/16-24 Thd.
30	683-0061		Steering Arm	69	17359B		Lower Frame
31	738-0777		Deck Connecting Rod	70	731-1049		Pivot Bar End Cap (Optional)
32	738-0775		Pivot Bar Shld. Bolt 3/8-16 x 5/8" Lg.	71	737-0280		Grease Fitting (Optional)
33	731-0484A		Cap		714-0149B		Internal Cotter Pin
34	714-0121		Cotter Pin 5/32" Dia.		731-0484A		Hub Cap
35	736-0316		Flat Washer		734-1615		Spoked Hub Cap (Gray—Opt.)
36	741-0523		Flange Brg. .757" I.D.	72	734-1614		Spoked Hub Cap (Beige—Opt.)
37	747-0721		Tie Rod 20.25" Lg. (Adjustable)		734-1788		Spoked Hub Cap (Yellow—Opt.)
	747-0862		Tie Rod 21.83" Lg. (Non-Adjustable)	73	727-0425A		Spring Clip (Optional)
38	16843		Pivot Bar Assy.	74	710-0837		Oval Hd. Cr.—Sunk Scr. #10 x 5/8" Lg. (Used on Style 8)
39	16889		Pivot Bar Support Brkt.—Front	75	741-0356		Flange Brg. .89" I.D. x 1.36" O.D. (Used on Style 8)
40	16890		Pivot Bar Support Brkt.—Rear	76	**		Air Valve
41	736-0188		Fl-Wash. .76" I.D. x 1.49" O.D.	77	710-0776A		Hex AB-Tap Scr. 1/4 x .62" Lg.
42	16915		Front Axle Ass'y.—L.H.	78	712-0446		Hex Jam L-Nut 3/8-24 Thd.
				79	731-0955		Steering Wheel Insert (Optional)
					**		Grease Fitting

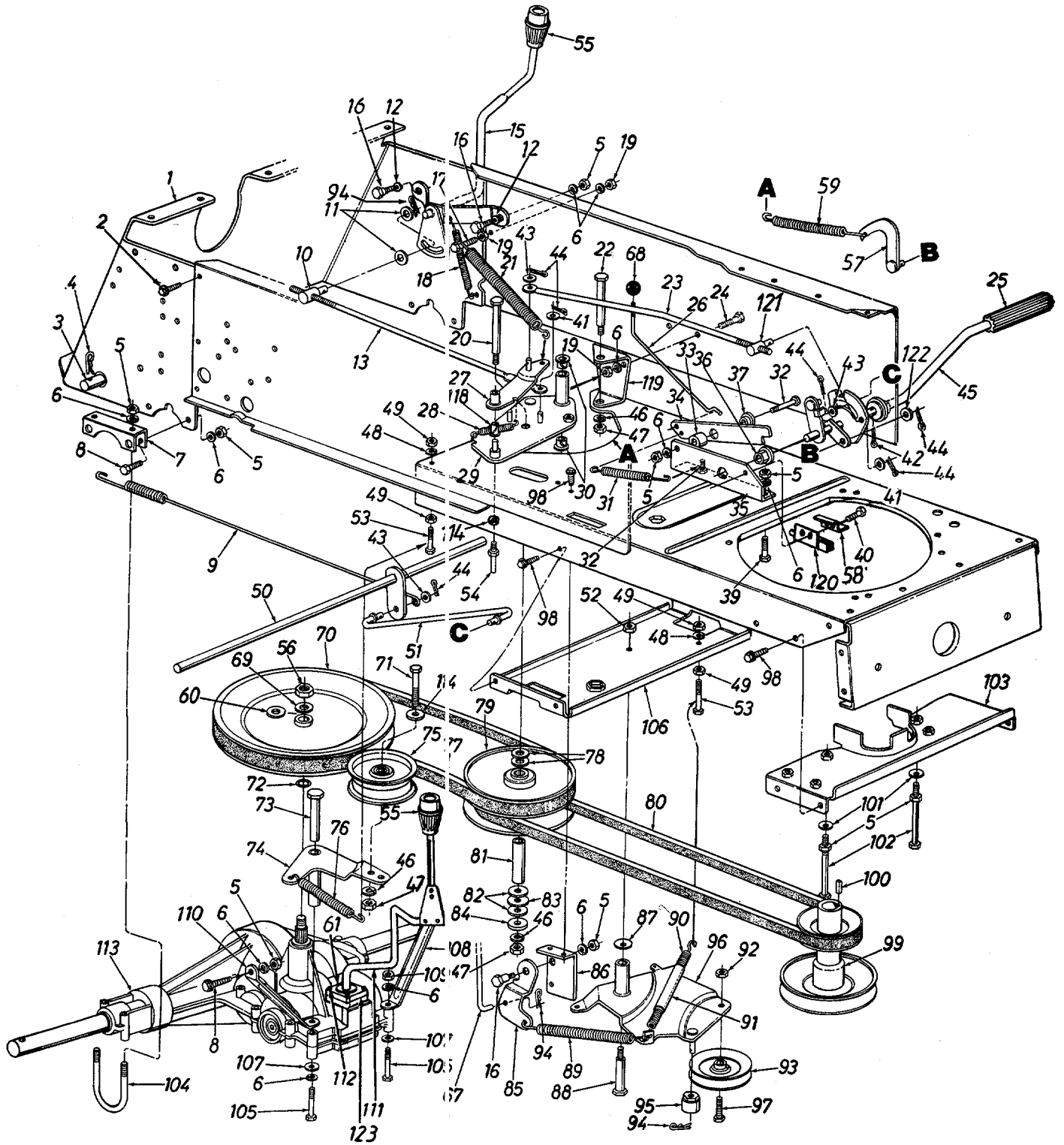
† Uses Round Steering Wheel Cap  
 †† Uses Square Steering Wheel Cap



### \*\*FRONT WHEEL CHART

Description	16" x 6.5" Round Shoulder	16" x 6.5" Square Shoulder
Wheel Ass'y. Comp.	734-1500A	634-0084
Tire Only	734-0275	734-1727
Rim Only	634-0067	634-0067
Bearing	741-0516	741-0516
Air Valve	734-0255	734-0255
Grease Fitting	737-0280	737-0280

# Models 820 thru 829; 840 thru 849

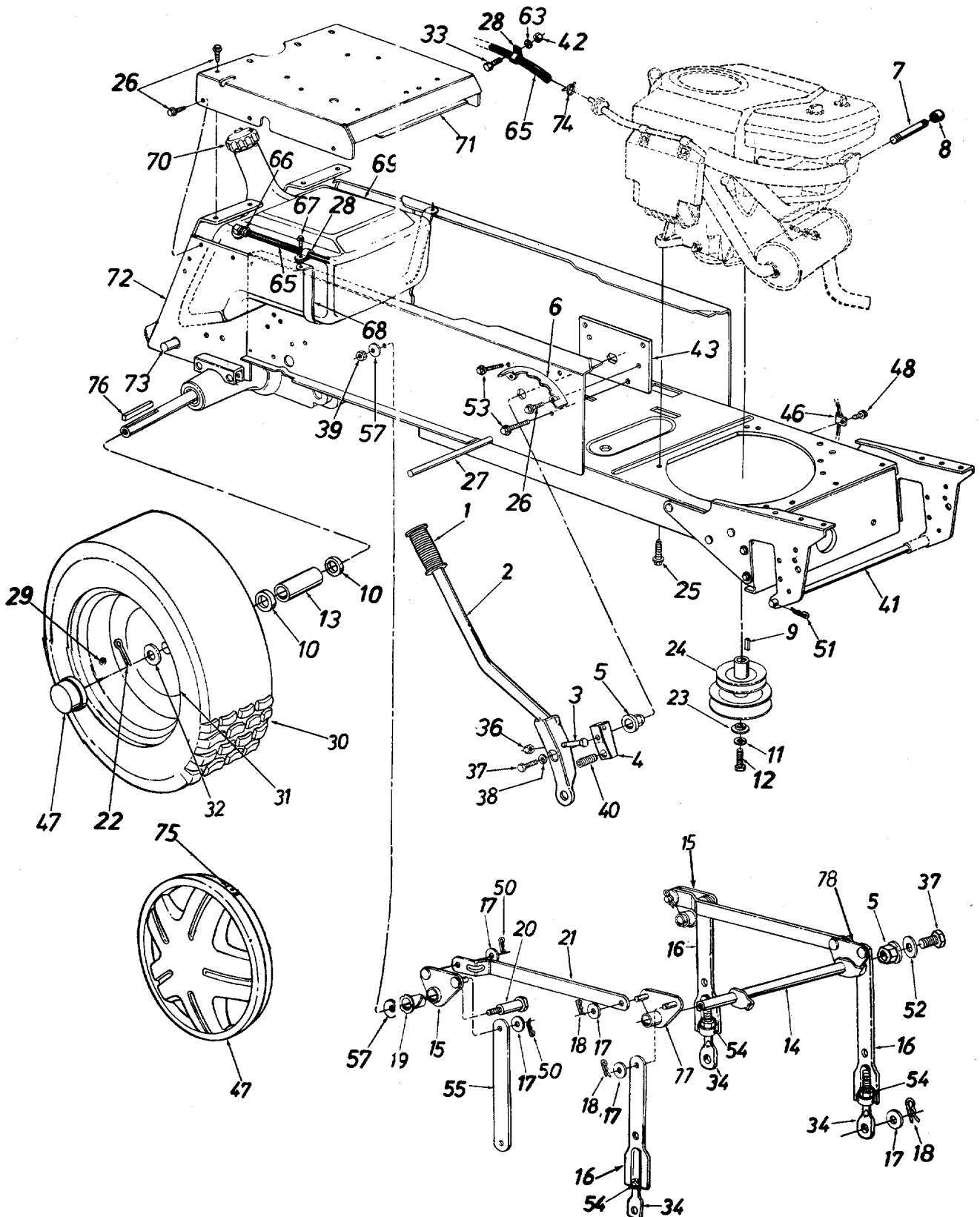


# Models 820 thru 829; 840 thru 849

## PARTS LIST FOR 800 SERIES GARDEN TRACTORS

REF. NO.	PART NO.	CODE	DESCRIPTION	REF. NO.	PART NO.	CODE	DESCRIPTION
1	17343		Hitch Plate	59	732-0698		Ext. Spring 5.2" Lg.
2	710-0726		Hex AB-Tap Scr. 5/16" x .75"	60	736-0156		FI-Wash. .635" I.D. x 1.12" O.D.
3	738-0482		Hitch Rod	61	718-0256		Shift Snout
4	714-0147		Hitch Pin Clip	67	—		Deck Control Rod (Refer to Style Pages)
5	712-0267		Hex Nut 5/16-18 Thd.*				Ball Knob Brake
6	736-0119		L-Wash. 5/16" I.D.*	68	720-0166		Bell-Wash. 9/16" I.D. x 1.25"
7	17340		Transaxle Bracket	69	736-0427		V-Pulley 91/4" O.D.
8	710-3008		Hex Bolt 5/16-18 x .75" Lg. (Gr. 5)	70	756-0534		Hex Bolt 3/8-24 x 1.75" Lg.
9	732-0601		Brake Extension Spring	71	710-0539		Wire Ring
10	711-0723A		Adjustment Ferrule 3/8-24 Thd.	72	732-0614		Shld. Bolt 5/16-24 Thd.
11	736-0267		FI-Wash. .385" I.D. x .87"	73	738-0769		Idler Brkt. Ass'y.
12	736-0141		Spr. Wash. .445" I.D. x .75" O.D.	74	16904		Flat Idler 3.5" O.D.
13	747-0729		Speed Control Link (Rear)	75	756-0542		Extension Spring 6.12" Lg.
14	736-0192		FI-Wash. .531" I.D. x .94"	76	732-0384		V-Belt
15	647-0011		Speed Selector Lever Ass'y.	77	754-0362		Teflon Washer 1.20" O.D.
16	738-0296		Shld. Bolt .437" Dia. x .162"	78	736-0414		Variable Speed Pulley 6" Dia.
17	710-0672		Hex Bolt 5/16-24 x 1.25" Lg.	79	717-0945		V-Belt
18	732-0429A		Extension Spring 3.9" Lg.	80	754-0358		Pivot Bushing
19	712-3057		Hex Nut 5/16-24 Thd. (Gr. 5)	81	738-0778		FI-Wash. .56" I.D. x 1.0" O.D.
20	710-0620		Hex Bolt 3/8-24 x 4.5" Lg.	82	736-0355		Thrust Brg. .56" I.D. x 1.25"
21	732-0603		Extension Spring 11" Lg.	83	741-0405		Retainer Cup
22	738-0779		Shld. Bolt .625" Dia. x 3.5" Lg.	84	17485		Deck Control Pivot Brkt.
23	747-0726		Speed Control Link (Front)	85	13887		Parking Brake Mtg. Brkt.
24	710-0157		Hex Bolt 5/16-24 x .75" Lg.	86	13833		Bell-Wash. .38" I.D. x .88" O.D.
25	735-0196		Foot Pad	87	736-0105		Shld. Bolt .498" Dia. x 2.05"
26	747-0722		Parking Brake Link	88	738-0129		Extension Spring 6.12" Lg.
27	17914		Variable Speed Torque Brkt. Ass'y.	89	732-0478		Extension Spring 6.37" Lg.
28	732-0568		Extension Spring 2.59" Lg.	90	732-0308		Convoluted Conduit 4" Lg.
29	17908		Pulley Plate Ass'y.	91	731-0483		Hex Cent. L-Nut 3/8-24 Thd.
30	741-0495		Flanged Brg. .630" I.D.	92	712-0214		V-Belt Idler
31	732-0395		Extension Spring 2.51" Lg.	93	756-0293A		Internal Cotter Pin
32	710-0528		Hex Bolt 5/16-18 x 1.25" Lg.*	94	714-0104		Spacer
33	750-0214		Spacer .34" I.D. x .88"	95	748-0278		Idler Brkt. Deck Ass'y.
34	16980		Brake Lockout Bracket	96	14076A		Hex Bolt 3/8-24 x 1.5" Lg.
35	16924A		Clutch Ass'y. Mtg. Bracket	97	710-0459		Hex TT-Tap Scr. 1/4-20 x .5"
36	741-0225		Hex Flange Brg. .634" I.D.	98	710-0599		Engine Pulley
37	748-0234		Shld. Spacer .5" Dia.	99	756-0531A		Sq. Key 1/4 x 1.5" Lg.
38	736-0187		FI-Wash. .64" I.D. x 1.24"	100	714-0118		Bell-Wash. .345" I.D. x .88"
39	710-0118		Hex Bolt 5/16-18 x .75" Lg.*	101	736-0242		Hex Bolt 5/16-18 x 5.25" Lg.
40	710-0436		Hex B-Tap Scr. #10 x 5/8 Lg.	102	710-0833		Belt Keeper Brkt. Ass'y.
41	736-0185		FI-Wash. .406" I.D. x .75" O.D.	103	17358D		U-Bolt
42	714-0115		Cotter Pin 1/8" Dia.	104	711-0829		Hex Bolt 5/16-24 x 2.25" Lg.
43	736-0275		FI-Wash. .34" I.D. x .68" O.D.	105	710-0593		Deck Idler Support Brkt.
44	714-0111		Cotter Pin 3/32" Dia.	106	16888A		FI-Wash. .344" I.D. x .62" O.D.
45	17910		Foot Pedal Ass'y.	107	736-0264		Front Trans. Support Brkt.—L.H.
46	736-0169		L-Wash. 3/8" I.D.*	108	16979		Hex Nut 5/16-24 Thd.*
47	712-0241		Hex Nut 3/8-24 Thd.	109	712-0123		Front Trans. Support Brkt.—R.H.
48	736-0329		L-Wash. 1/4" I.D.*	110	16978		Shift Lever Ass'y. Complete
49	712-0287		Hex Nut 1/4-20 Thd.*	111	618-0155		Hex Flange Bolt 1/4-20 Thd.
50	17349		Brake Link Bracket	112	710-0886		2-Speed Transmission Comp.
51	747-0724		Front Brake Rod Link	113	618-0156		FI-Wash. 3/8" I.D. x 1.0" O.D.
52	712-0375		Hex Cent. L-Nut 3/8-16 Thd.	114	736-0258		Nyliner Flanged Brg.
53	710-0501		Hex Bolt 1/4-20 x 2.0" Lg.	118	741-0419		Variable Speed Support Brkt.
54	711-0828		Belt Guard Pin	119	17180		Safety Switch (Clutch)
55	720-0218		Shift Knob	120	725-1657		Adjustment Ferrule 3/8-24 Thd.
56	712-3035		Hex Jam Nut 9/16-18 Thd.	121	711-0832		FI-Wash. .344" I.D. x .62" O.D.
57	17912		Foot Pedal Brkt. Ass'y.	122	736-0204		O-Ring (Not Shown)
58	17962		Switch Plate	123	721-3033		

# Models 820 thru 829; 840 thru 849



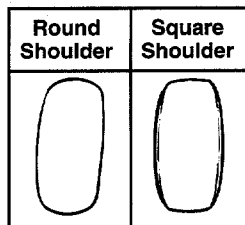
# Models 820 thru 829; 840 thru 849

## PARTS LIST FOR 800 SERIES GARDEN TRACTORS

REF. NO.	PART NO.	CODE	DESCRIPTION	REF. NO.	PART NO.	CODE	DESCRIPTION
1	720-0233		Grip	37	710-0237		Hex Bolt 5/16-24 x .62" Lg.*
2	17282		Lift Handle Ass'y.	38	736-0119		L-Wash. 5/16" I.D.*
3	710-0442		Hex Bolt 5/16-18 x 1.5" Lg.*	39	712-0181		Hex Top L-Nut 3/8-16 Thd.
4	748-0274A		Lift Shaft Drive	40	732-0369		Compression Spring
5	741-0225		Plastic Hex Brg. 5/8" I.D.	41	738-0777		Deck Connecting Rod
6	14231		Index Brkt. Deck Lift	42	712-0287		Hex Nut 1/4-20 Thd.*
7	737-0164		Pipe Nipple 3/8-18 Npt.	43	14170		Index Brkt. Reinforcement Plate
8	737-0143		Pipe Cap 3/8-18 Npt.	46	726-0273		Mounting Clamp
9	714-0118		Sq. Key 1/4" x 1/4" x 1.50" Lg.	47	731-0556		Hub Cap
10	736-0163		Fl-Wash. 1.03" I.D. x 1.62" O.D.		734-1617		Spoked Hub Cap (Gray— Optional)
11	736-0171		L-Wash. 7/16" I.D.		734-1789		Spoked Hub Cap (Yellow— Optional)
12	710-0757		Hex Scr. 7/16-20 x 1.50" Lg.				
13	750-0762		Spacer 1.0" I.D. x 1.25" O.D.				
14	683-0101	N	Lift Shaft Ass'y.	48	710-0599		Hex Wash. Hd. TT-Tap Scr. 1/4-20 x .5" Lg.
15	13895		Lift Pivot Brkt. Ass'y.				
16	17303		Adj. Deck Lift Link	50	714-0111		Cotter Pin .09 Dia. x 1.0" Lg.
17	736-0192		Fl-Wash. 1/2" I.D. x 1.00" O.D. x .090"	51	714-0149B		Int. Cotter Pin
				52	736-0231		Flat Wash. .34" I.D. x 1.12" O.D. x .125"
18	714-0101		Hairpin Cotter				
19	741-0591		Flange Brg. 5/8" I.D. x .88" Lg.	53	710-0600		Hex Wash. Hd. AB-Tap Scr. 5/16-24 x .5" Lg.
20	738-0445		Shld. Bolt 5/8" Dia. x .96" Lg. 3/8-16	54	712-0206		Hex Nut 1/2-13 Thd.
				55	14399		Deck Link
21	13790		Connecting Link	56	736-0264		Fl-Wash. .344" I.D.
22	714-0142		Cotter Pin 3/16" Dia. x 1.5" Lg.	57	736-0219		Bell-Wash. .4" I.D. x 1.13" O.D.
23	736-0322		Flat Wash. .44" I.D. x 1.25" O.D. x .17"	60	710-0118		Hex Bolt 5/16-18 x .75" Lg.*
				63	736-0329		L-Wash. 1/4" I.D.*
24	756-0531A		Two-Step Engine Pulley	65	751-0535-46		Fuel Line 46" Lg.
25	710-0502A		Hex Wash. Hd. Scr. 3/8-16 x 1.25" Lg.	66	726-0205		Hose Clamp
				67	710-0776A		Hex AB-Tap Scr. 1/4 x .62" Lg.
26	710-0726		Hex Thd. Rolling Scr. 5/16-18 x .75" Lg.	68	17424		Fuel Tank Strap
				69	751-0566		Gas Tank
27	738-0435		Running Board Rod	70	751-0531B		Gas Gauge
28	726-0272		Clamp	71	16848C		Seat Plate
29	**		Air Valve	72	17343		Hitch Plate
30	**		Rear Wheel Ass'y. Comp.	73	738-0482		Hitch Rod
	**		Tire Only	74	726-0272		Hose Clamp
31	**		Rear Wheel Rim Only	75	727-0425A		Spring Clip (Optional)
32	736-0345		Flat Washer	76	714-0120		Sq. Key 1/4" x 3" Lg.
33	710-0258		Hex Bolt 1/4-20 x .62" Lg.	77	683-0098	N	Pivot Brkt. Ass'y.—R.H.
34	711-0817		Eye Bolt Adj. Link 1/2-13 Thd.	78	683-0097	N	Pivot Brkt. Ass'y.—L.H.
36	712-0158		Hex Cent. L-Nut 5/16-18 Thd.				

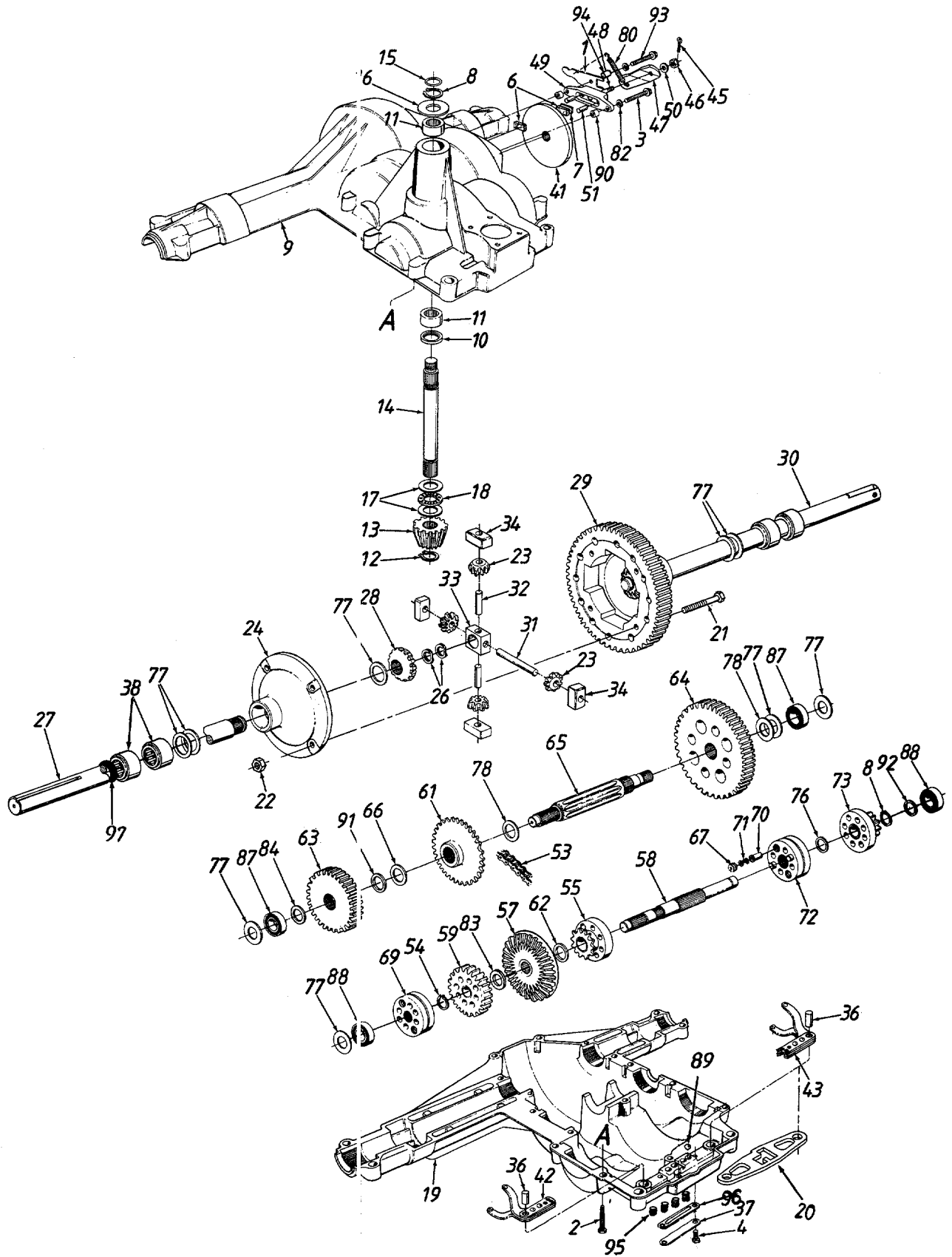
\*For faster service obtain standard nuts, bolts and washers locally.  
If these items cannot be obtained locally, order by part number  
and size as shown on parts list.

### \*\*REAR WHEEL CHART



Description	23" x 9.5" Round Shoulder	23" x 9.5" Square Shoulder
Wheel Ass'y. Comp.	734-1005A	634-0086
Tire Only	734-0322	734-1728
Rim Only	734-1015	734-1015
Air Valve	734-0255	734-0255

# Models 820 thru 829; 840 thru 849





# Models 820 thru 829; 840 thru 849

## PARTS LIST FOR MODEL 618-0156 TRANSAXLE

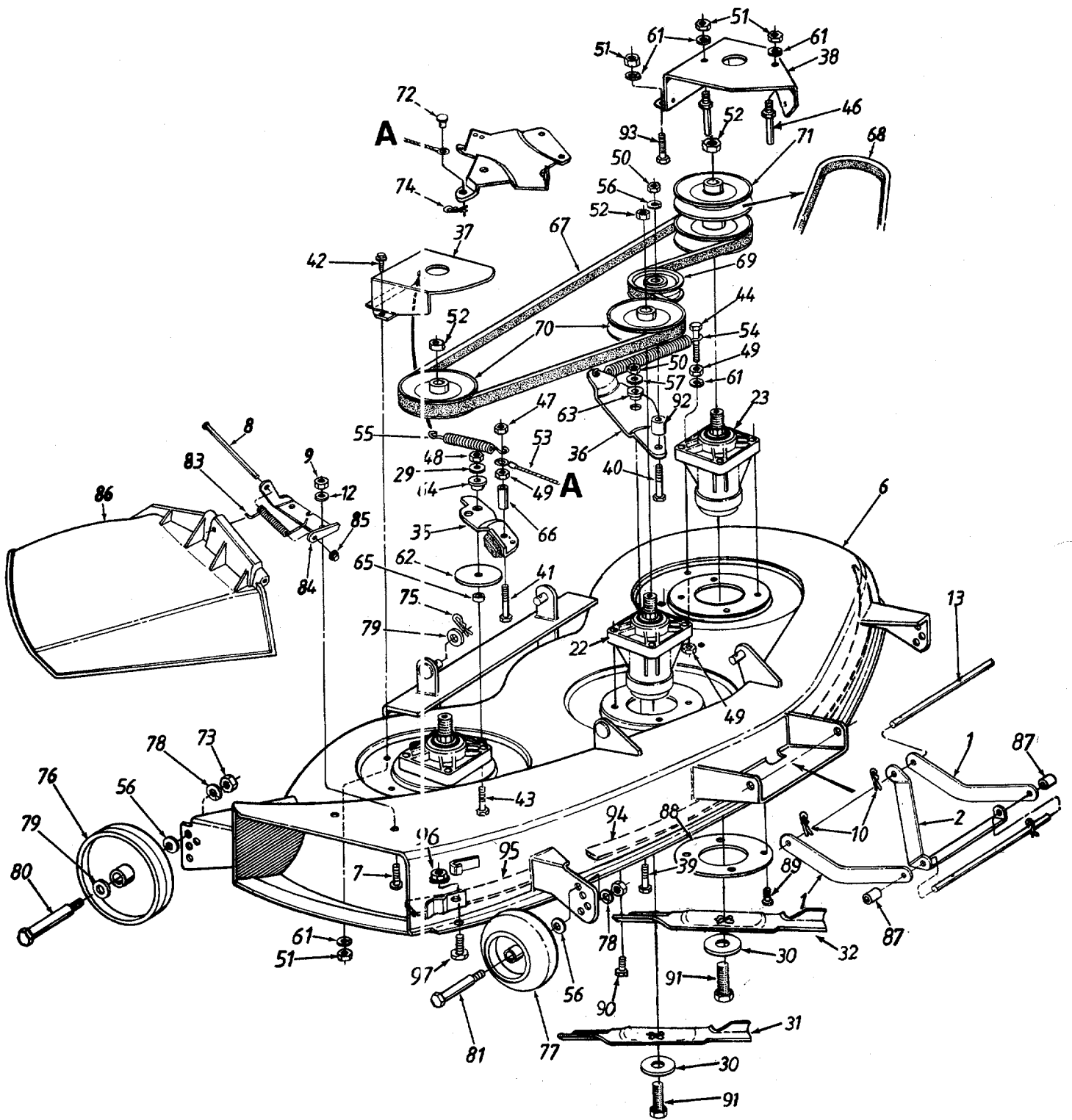
REF. NO.	PART NO.	CODE	DESCRIPTION	REF. NO.	PART NO.	CODE	DESCRIPTION
1	17434A		Brake Return Bracket	49	717-1179		Brake Yoke
2	710-0809		Hex Bolt 1/4-20 x 1.25" Lg.	50	736-0371		FI-Wash. 11/32" I.D. x 7/8" O.D.
3	710-3201		Hex Bolt 1/4-20 x 1.5" Lg. (Gr. 5)	51	741-0343		Brake Actuating Pin
4	710-0599		Hex Wash. Tap Scr. 1/4-20 x .5" Lg.	53	713-0326		#420 Chain 1/2 Pitch x 28 Links
6	717-0678		Brake Puck	54	716-0133		Retainer Ring
7	717-0682		Puck Plate	55	717-1141		Reverse Sprocket Ass'y.
8	716-0171		Retainer Ring	57	717-1157		Bevel Gear 47T
9	619-0013		Upper Housing	58	711-0860		Drive Shaft
10	721-0253		Oil Seal	59	717-1174		Spur Gear Ass'y.
11	741-0525		Needle Brg. 5/8" I.D. x 7/8" O.D.	61	717-1182		Sprocket 22T
12	716-0114		Snap Ring	62	736-0421		FI-Wash. .81" I.D. x 1.18" O.D.
13	717-1133		Input Pinion 15T	63	717-1155		Spur Gear 31T
14	717-1134		Input Shaft	64	717-1156		Spur Gear 45T
15	732-0614		Wire Ring	65	717-1158		Output Shaft 9T
17	736-0419		Thrust Washer	66	717-1172		Spacer
18	741-0469		Thrust Bearing	67	718-0183		Shift Spring Plug
19	717-1161		Lower Housing	69	717-1167B		Forward Shift Collar
20	718-0258		Lockout Plate	70	717-1184		Drive Pin
21	710-0151		Hex Bolt 3/8-24 x 2.0" Lg.*	71	732-0590A		Drive Spring
22	712-3054		Hex L-Nut 3/8-24 Thd. (Gr. 5)	72	717-1168B		Creeper Shift Collar
23	717-1120		Differential Gear 10T	73	717-1193		Creeper Collar Plate Ass'y.
24	717-1147		Differential Housing Cover Ass'y.	76	736-0353		FI-Wash. .65" I.D. x .97" O.D.
26	716-0172		Retainer Ring	77	***		FI-Wash. (See Below)
27	717-1112		Axle R.H.	78	736-0424		FI-Wash. 1.0" I.D. x 1.56" O.D.
28	717-1119		Differential Gear 14T	80	732-0545		Ext. Spring 1.14" Lg.
29	717-1159		Differential Bull Gear 60T	82	736-0329		L-Wash. 1/4" I.D.*
30	717-1111		Axle L.H.	83	736-0349		FI-Wash. 5/8" I.D. x 1.0" O.D.
31	717-1173		Cross Shaft	84	736-0422		FI-Wash. .68" x 1.12"
32	717-1178		Cross Shaft—Special	87	741-0124		Ball Brg. .669" I.D.
33	717-1180		Differential Pinion Block	88	741-0524		Ball Bearing
34	717-1190		Differential Thrust Block	90	750-0555		Spacer .254" I.D. x .5" O.D.
36	717-1138		Shift Pin	91	736-0333		FI-Wash. .69" I.D. x 1.06" O.D.
37	717-1139		Spring Plate	92	****		FI-Wash. (See Below)
38	741-1143		Axle Bearing Ass'y.	93	710-1225		Hex Wash Hd. Patch Bolt 1/4-20 x 2-1/4" Lg.
41	717-1177		Brake Disc	94	750-0893		Spacer .256" I.D. x .75" O.D.
42	717-1185		Shift Arm Ass'y.—R.H.	95	732-0496		Detent Spring
43	717-1186		Shift Arm Ass'y.—L.H.	96	717-1148		Spring Plate Shim
45	714-0111		Cotter Pin 3/32" Dia.	97	721-0258		Seal
46	712-0335		Castle Nut 5/16-24 Thd.	—	737-0148		Shell Darina Grease 14 oz. Tube (32 oz. Req'd.)
47	717-0700		Brake Actuating Arm				
48	717-0796		Sq. Hd. Bolt 5/16-24 Thd.				

\*\* Ref. No. 16 736-0335 FI-Wash. 5/8" I.D. x 1.25" O.D. x .060" Thk.  
736-0336 FI-Wash. 5/8" I.D. x 1.0" O.D. x .030" Thk.  
736-0337 FI-Wash. 5/8" I.D. x 1.0" O.D. x .040" Thk.

\*\*\* Ref. No. 77 736-0423 FI-Wash. 1" I.D. x 1.56" O.D. x .010" Thk.  
736-0431 FI-Wash. 1" I.D. x 1.56" O.D. x .015" Thk.  
736-0424 FI-Wash. 1" I.D. x 1.56" O.D. x .020" Thk.  
736-0420 FI-Wash. 1" I.D. x 1.56" O.D. x .040" Thk.

\*\*\*\* Ref. No. 92 736-0349 FI-Wash. 5/8" I.D. x 1.0" O.D. x .020" Thk.  
736-0336 FI-Wash. 5/8" I.D. x 1.0" O.D. x .030" Thk.  
736-0337 FI-Wash. 5/8" I.D. x 1.0" O.D. x .040" Thk.

# Deck "H"



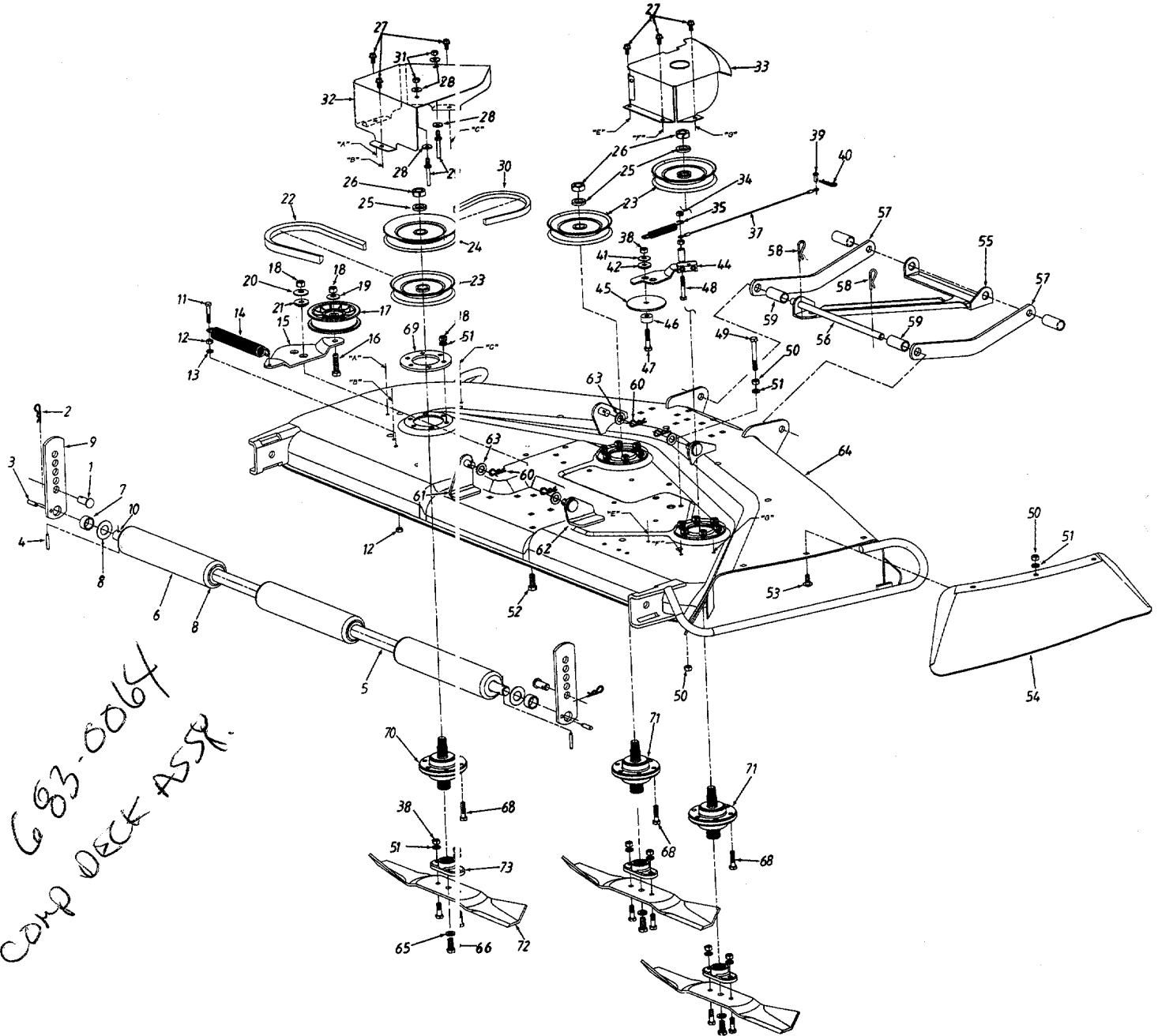
# Deck "H"

## PARTS LIST FOR 46" MOWING DECK

REF. NO.	PART NO.	CODE	DESCRIPTION	REF. NO.	PART NO.	CODE	DESCRIPTION
1	17347		Deck Stabilizer	56	736-0105		Bell-Wash. .38" I.D. x .88" O.D.
2	17264		Diagonal Brace	57	736-0331		Bell-Wash. .39" I.D. x 1.13" O.D.
6	683-0052		46" Deck Ass'y. Comp.	61	736-0329		L-Wash. 1/4" I.D.*
	683-0053		46" Deck Ass'y. Comp. (Style 9)	62	736-0416		FI-Wash. 5/16" I.D. x 3" O.D.†
	683-0054		46" Deck Ass'y. Comp. (Electric Clutch)	63	738-0347		Shld. Spacer .625" I.D.
7	710-0258		Hex Bolt 1/4-20 x .62" Lg.	64	748-0234		Shld. Spacer†
8	711-0792		Hinge Pin	65	750-0214		Spacer .34" I.D.†
9	712-0287		Hex Nut 1/4-20 Thd.*	66	750-0470		Spacer .326" I.D.†
10	714-0149B		Hairpin Clip	67	754-0349		V-Belt
12	736-0270		Bell-Wash. 1/4" I.D.	68	754-0350		V-Belt
13	738-0392		Deck Connecting Rod	69	756-0627		FI-Idler Pulley 3.5" O.D.
22	618-0111		Spindle Ass'y. (R.H. & Center)	70	756-0969		Pulley 5.0" Dia.
23	618-0112		Spindle Ass'y. (L.H.)	71	756-0977		Double Pulley 5.0" Dia.
29	736-0119		Lock Wash. 5/16" I.D.*	72	711-0701		Clevis Pin 1/4" Dia. x .53" Lg.†
30	736-0510		Bell-Wash. .47" I.D. x 1.5"	73	712-0798		Hex Nut 3/8-16 Thd.
31	742-0543		High Lift Blade 14.88" Lg. (Middle)	74	714-0104		Intern. Cotter Pin 5/16" Dia.†
32	742-0542		High Lift Blade 16.28" Lg. (R.H. & L.H.)	75	714-0145		Intern. Cotter Pin 3/8 Dia.
35	17116		Deck Brake Brkt. Ass'y.†	76	734-0973		Deck Wheel 5" Dia.
36	17213		Idler Bracket	77	734-3058B		Deck Wheel w/Insert 5" Dia.
37	17258A		Belt Cover Brkt.—R.H.	78	736-0169		L-Wash. 3/8" I.D.*
38	783-0066		Belt Cover—L.H.	79	736-0192		FI-Wash. .531" I.D.
39	710-0152		Hex Bolt 3/8-24 x 1.0" Lg.	80	738-0533		Shoulder Bolt .498" Dia. x 1.64" Lg.
40	710-0151		Hex Bolt 3/8-24 x 2" Lg.	81	738-3056		Shoulder Bolt
41	710-0559		Hex Bolt 1/4-28 x 1.75" Lg.†	83	732-0602		Torsion Spring
42	710-0599		Hex Wash. Hd. Tap-Scr. 1/4-20 x .5" Lg.	84	703-1693		Hinge Mtg. Brkt.
43	710-0624		Hex Bolt 5/16-24 x 1.5" Lg. (Grade 5)†	85	726-0106		Push Nut
44	710-0698		Hex Bolt 1/4-28 x 1.5" Lg.	86	731-1032		Chute Ass'y. Comp. (Incl. Ref. 8, 83, 84, 85, 86)
46	711-0993		Belt Guard Pin 1/4" Dia.	87	750-0757		Spacer 5/8" I.D. x 7/8" O.D.
47	712-0117		Hex Cent. L-Nut 1/4-28 Thd.†	88	17982		Spindle Reinforcement Plate
48	712-0123		Hex Nut 5/16-24 Thd.†	89	710-1261		Hex Wash. Hd. Scr. 5/16-18 x 1" Lg.
49	712-0138		Hex Nut 1/4-28 Thd.†	90	710-1260		Hex Wash. Hd. Scr. 5/16-18 x .75" Lg.
50	712-0241		Hex Nut 3/8-24 Thd.	91	710-1262		Hex L-Bolt 7/16-20 x 1" Lg.
51	712-0287		Hex Nut 1/4-20 Thd.*	92	711-0242		Spacer .38" I.D.
52	712-0417		Hex Flange L-Nut 5/16-18 Thd.	93	710-0289		Hex Bolt 1/4-20 x .5" Lg.
53	727-0426		Brake Cable Ass'y.†	94	783-0141		Skirt—Center
	727-0445		Brake Cable Ass'y. (Style 9)†	95	783-0142		Skirt—Right Hand
4	732-0594A		Extension Spring 6.17" Lg.	96	712-0271		Hex Sems Nut 1/4-20 Thd.
5	732-0429A		Extension Spring 3.97" Lg.†	97	710-0167		Carriage Bolt 1/4-20 x .5" Lg.

†Not used on electric clutch models.

# Deck "P"



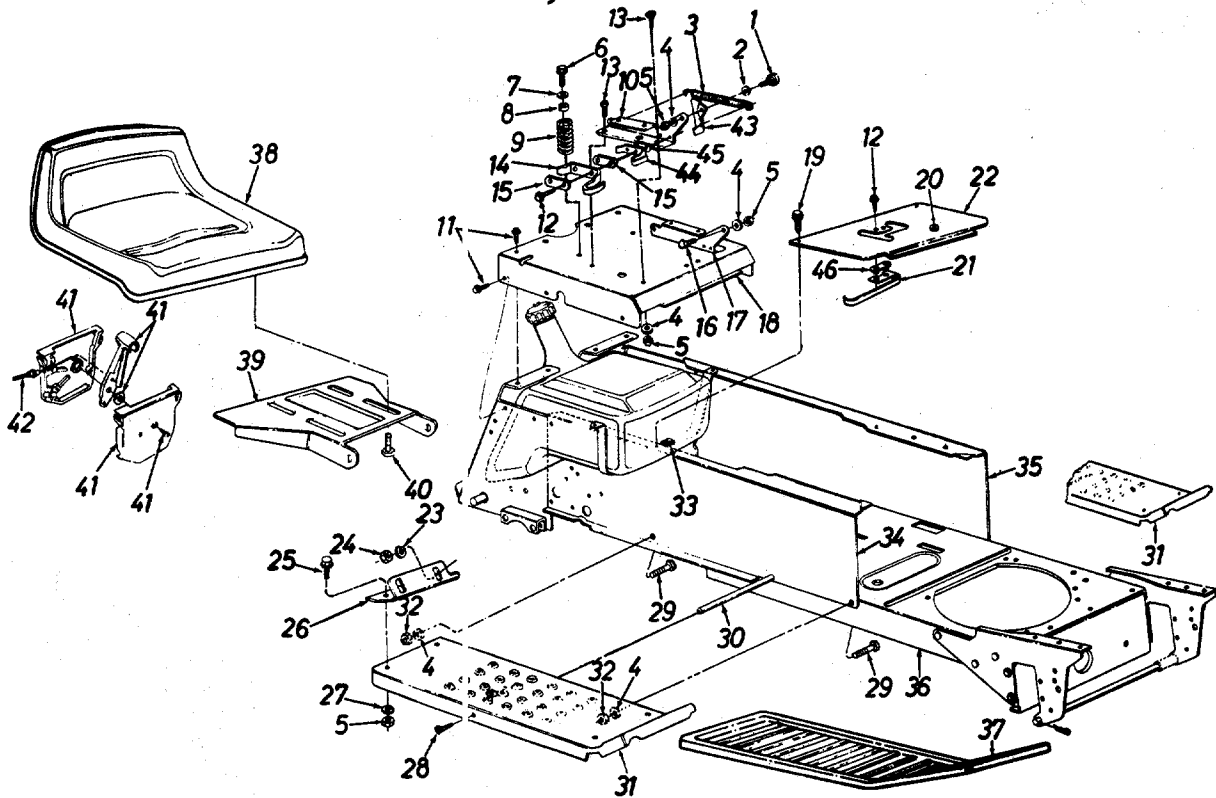
683-0064  
COMP DECK ASSY.

# Deck "P"

## PARTS LIST FOR 50" MOWING DECK

REF. NO.	PART NO.	CODE	DESCRIPTION	REF. NO.	PART NO.	CODE	DESCRIPTION
1	711-0310		Clevis Pin	38	712-0123		Hex Nut 5/16-24 Thd.
2	714-0101		Hairpin Clip	39	711-0701		Clevis Pin
3	715-0108		Spring Pin 1/4" x 1" Lg.	40	714-0104		Hairpin Clip
4	715-0246		Spring Pin 3/16" x 1-1/4" Lg.	41	736-0425		Bell-Wash. .325" I.D.
5	750-0288		Spacer .82" I.D.	42	748-0234		Shld. Spacer
6	731-0335		Deck Roller	43	750-0470		Spacer .96" Lg.
7	750-0212		Spacer .75" I.D.	44	17116		Brake Ass'y.
8	736-0188		Fl-Wash. .76" I.D. x 1.5" O.D.	45	736-0416		Fl-Wash. 5/16" I.D. x .3" O.D.
9	12650		Height Adjuster	46	750-0214		Spacer .44" Lg.
10	738-0295		Roller Shaft	47	710-0624		Hex Bolt 5/16-24 x 1.5" Lg. (Gr. 5)
11	710-0698		Hex Bolt 1/4-28 x 1.5" Lg. (Gr. 5)	48	710-0559		Hex Bolt 1/4-28 x 1.75" Lg. (Gr. 5)
12	712-0138		Hex Nut 1/4-28 Thd.	49	710-0378		Hex Bolt 5/16-18 x 2.5" Lg.
13	736-0329		L-Wash. 1/4" I.D.	50	712-0267		Hex Nut 5/16-18 Thd.*
14	732-0594A		Ext. Spring 7.33" Lg.	51	736-0119		L-Wash. 5/16" I.D.*
15	783-0139		Idler Brkt.	52	710-0152		Hex Bolt 3/8-24 x 1" Lg.
16	710-0459		Hex Bolt 3/8-24 x 1.5" Lg.	53	710-0451		Carr. Bolt 5/16-18 x .75" Lg.
17	756-0627		Idler Pulley	54	12649		Chute Guard
18	712-0241		Hex Nut 3/8-24 Thd.	55	17264		Diagonal Brace
19	736-0105		Bell-Wash. 3/8" I.D.	56	738-0392		Connecting Rod
20	736-0331		Bell-Wash. .39" I.D. x 1.13" O.D.	57	17347		Stabilizer Link
21	738-0347		Shld. Spacer .625" I.D.	58	714-0149B		Hairpin Clip
22	754-0291A		"V"-Belt	59	750-0932		Spacer 1.75" Lg.
23	756-0519		Deck Pulley	60	714-0145		Hairpin Clip
24	756-0604		Upper Deck Pulley	63	736-0192		Fl-Wash. 1/2" I.D. x .93" O.D.
25	736-0158		L-Wash. 5/8" I.D.	64	683-0060		Deck Ass'y.
26	712-0318		Hex Jam Nut 5/8-18 Thd.	65	736-0217		L-Wash. 3/8" I.D.—H.D.
27	710-0599		Hex Wash. Hd. Scr. 1/4-20 x .5" Lg.	66	710-0877		Hex Bolt 3/8-24 x .88" Lg. (Gr. 5)
28	736-0270		Bell-Wash. 1/4" I.D.	68	710-0672		Hex Bolt 5/16-24 x 1-1/4" Lg. (Gr. 5)
29	711-0747		Belt Guard Pin	69	14249A		Spindle Reinforcement Plate
30	754-0364		"V"-Belt	70	618-0119	N	Spindle Ass'y. (L.H.)
31	712-0287		Hex Nut 1/4-20 Thd.	71	618-0118	N	Spindle Ass'y. (R.H. & Center)
32	783-0131		Belt Guard—L.H.	72	742-0171B		Blade
33	783-0130		Belt Guard—R.H.	73	748-0300		Blade Adapter
34	712-0117		Hex L-Nut 1/4-28 Thd.	74	710-0888		Hex Bolt 5/16-24 x 1" Lg.
35	732-0429A		Ext. Spring 3.97" Lg.				
36	712-0138		Hex Nut 1/4-28 Thd.				
37	727-0295		Brake Cable				

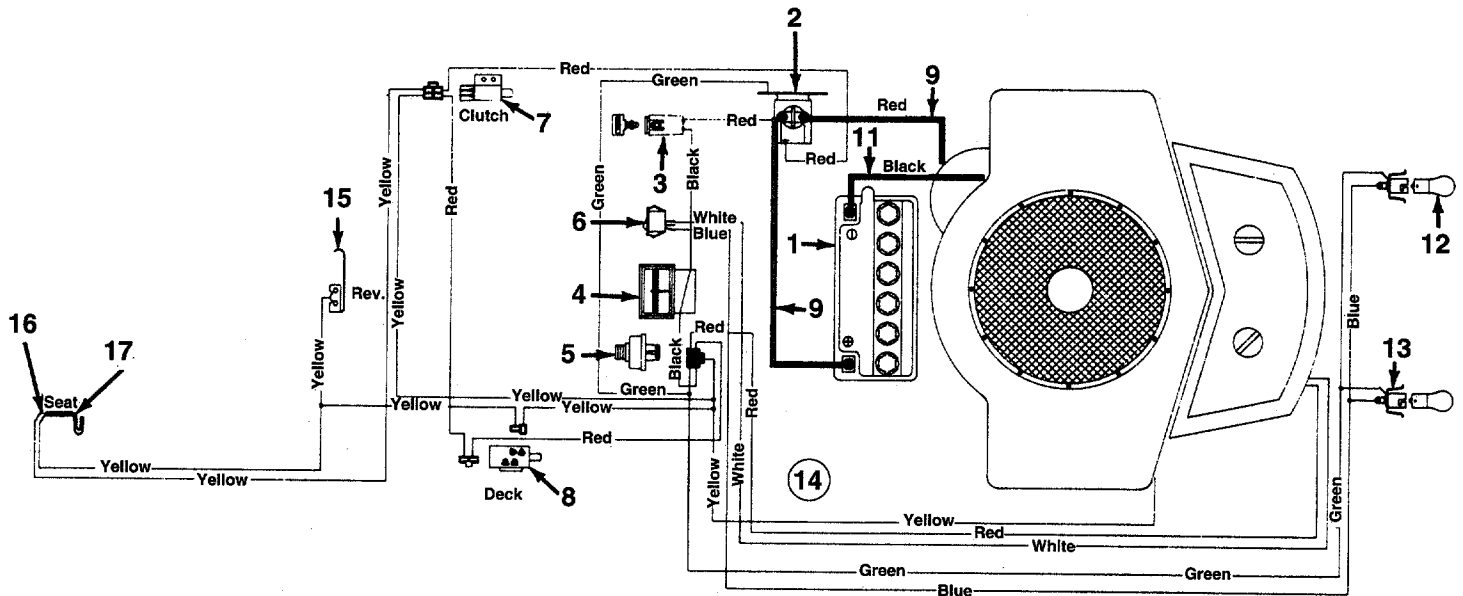
# Models 820 thru 829; 840 thru 849



**PARTS LIST FOR 800 SERIES GARDEN TRACTORS**

REF. NO.	PART NO.	CODE	DESCRIPTION	REF. NO.	PART NO.	CODE	DESCRIPTION
1	738-0296		Shld. Bolt .437" Dia. x .162"	26	15846		Fender Bracket—R.H.
2	736-0141		Spr. Wash. .445" I.D.		15847		Fender Bracket—L.H.
3	732-0581B		Ext. Spring 5.31" Lg.		17406		Fender Bracket—R.H. (Style 4, 6, 9)
4	736-0119		L-Wash. 5/16" I.D.*		17407		Fender Bracket—L.H. (Style 4, 6, 9)
5	712-0267		Hex Nut 5/16-18 Thd.	27	736-0242		Bell-Wash. .345" I.D. x .88" O.D.
6	710-0601		Hex Wash. Hd. Tap Scr. 5/16-18 x .7" Lg.	28	710-0323		Truss Mach. Scr. 5/16-18 x .75" Lg.
7	736-0159		Fl-Wash. .344" I.D.	29	710-1012		Rib Neck Bolt 5/16-24 x .75" Lg.
8	722-0160		Bushing	30	738-0435		Running Board Rod
9	732-0588		Compression Spring	31	16922		Running Board—R.H.
10	17702		Seat Pivot Brkt. Support—R.H.		16921		Running Board—L.H.
11	710-0726		Hex Wash. Hd. AB-Tap Scr. 5/16 x .75" Lg.	32	712-0123		Hex Nut 5/16-24 Thd.
12	710-0227		Hex Wash. Hd. AB-Tap Scr. #8 x .5" Lg.	33	726-0139		Speed Nut #10Z
13	710-1228		Torx Hd. AB-Tap Scr. 5/16-18 x .75" Lg.	34	17360A		R.H. Side Frame
14	725-1303		Spring Switch	35	17361B		L.H. Side Frame
15	726-0279		Insulator Plate	36	17359B		Lower Frame
16	738-0155		Shld. Bolt .437" Dia. x .162"	37	731-1052		Rubber Foot Pad (Optional)
17	17701		Seat Pivot Brkt. Support—L.H.	38	757-0345		Seat 8-7/8" High
18	16848C		Seat Plate		757-0338		Seat 10-5/8" High
19	710-0351		Truss Mach. B-Tap Scr. #10 x .5" Lg.		757-0365		Seat 10-5/8" High (Yellow)
20	731-0405		Snap Bushing		757-0350		Seat 14-1/4" High
21	725-1643		Reverse Safety Switch		757-0372		Seat 14-1/4" High (Yellow)
22	—		Shift Cover (Refer to Style Sheet)	39	783-0039		Seat Pivot Bracket
23	736-0329		L-Wash. 1/4" I.D.*	40	710-0623		Hex Tap Scr. 3/8-16 x .75" Lg.
24	712-0287		Hex Nut 1/4-20	41	831-0823A		Throttle Control Box Ass'y.
25	710-0118		Hex Bolt 5/16-18 x .75" Lg.	42	746-0634		Throttle Control Wire 35" Lg.
				43	17239A		Seat Lift Bracket
				44	725-1439		Seat Spring Switch
				45	726-0278		Insulator Boss Plate
				46	726-0320		Insulator Nut Plate

# Models 820 thru 829; 840 thru 849



## PARTS LIST FOR ELECTRICAL SYSTEM

REF. NO.	PART NO.	CODE	DESCRIPTION	REF. NO.	PART NO.	CODE	DESCRIPTION
1	725-1635		Battery (275 Cold Crank Amps)	12	725-0963		Lamp
2	725-1426		Solenoid	13	725-1649		Socket (Style 0, 5, 6)
3	725-1625		Fuse 7.5 Amp		725-1650		Socket (Style 4, 8, 9)
4	725-0925		Ammeter†	14	629-0114		Wire Harness Used w/Ammeter & Light Switch
5	725-0267		Ignition Switch		629-0112		Wire Harness Used w/o Ammeter & Light Switch
6	725-0634		Light Switch†	15	725-1643		Spring Switch (Reverse)
7	725-1657		Safety Switch (Clutch)	16	725-1303		Spring Switch (Seat)
8	725-0465A		Safety Switch (PTO)	17	725-1439		Spring Switch (Seat)
9	725-0561		Electric Wire 14" Lg.				
11	725-0996		Ground Wire 7.5" Lg.				

†Optional Parts

